

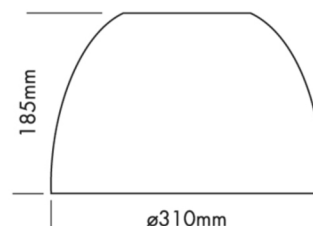
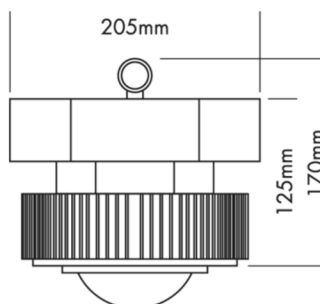
Data sheet

L711L188 - Low Bay Mini 80 - NW

PROLED®

Article name: Low Bay Mini 80 - NW

Article number: L711L188



Article description:

LED high bay luminaire for factory buildings, production halls, assembly halls, storage buildings, sales areas, exhibition spaces, ...

Technical:

Mounting type: Suspended

Adjustability: Fixed

Controllability: Dimmable

Safety: IP20

Temperature range: -10...45 °C

Lifetime: 50.000 h at L80B10

Electric:

System power: 75 W

Current: 220-240 V

Safety class: 1

EEL: A++ - A

UGR: 19.56

Shape and dimensions:

Height: 355 mm

Diameter: 310 mm

Weight: 3 kg

Light output 1 (LED 4000K - CRI 80):

Lamp type: LED

Lamp power: 75 W

Total luminous flux: 10000 lm

Light efficiency: 133.3 lm/W

CCT: 4000 K

CRI: 80

Light distribution: (Symmetrical) Wide flood (half value angle 45°...125°)

Status 08.12.2020

Technical amendments and errors reserved.

PROLED®

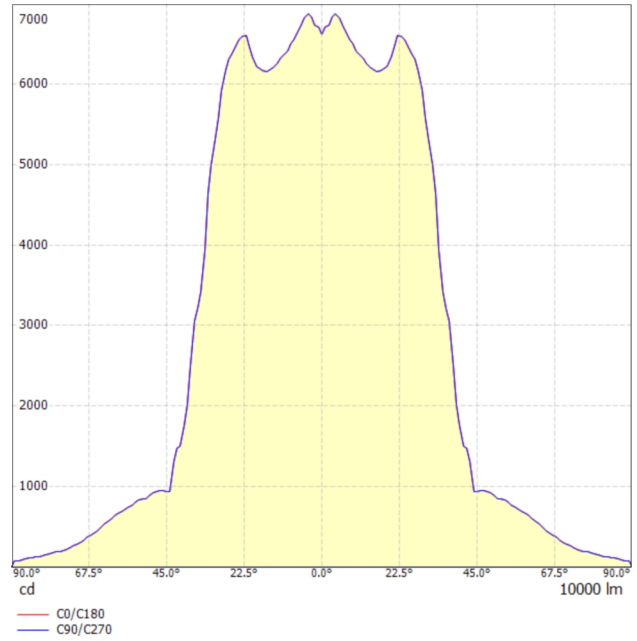
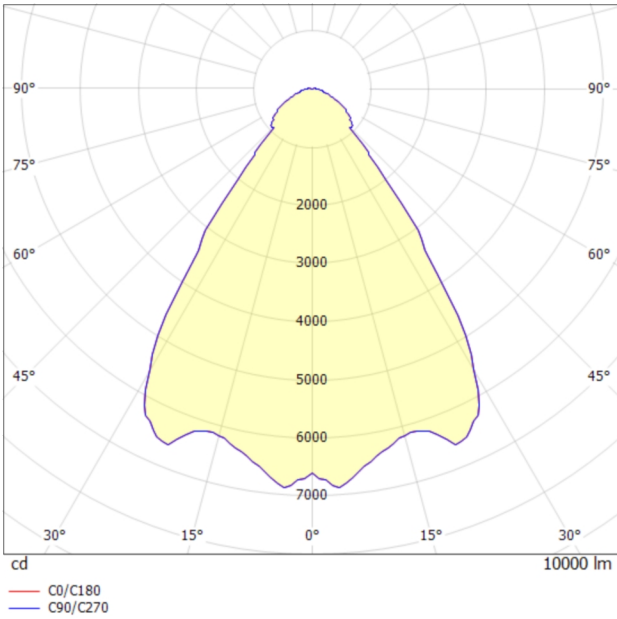
MBN GmbH | Balthasar-Schaller-Str. 3 | 86316 Friedberg | Germany

Phone +49.821.60099-0 | Fax +49.821.60099-99

info@proled.com | proled.com

Data sheet

L711L188 - Low Bay Mini 80 - NW



Distance	Cone diameter	E(0°)	E(C0)	34.9°	21147	6117
0.5	0.70	E(0°)	E(C0)	34.9°	21147	6117
1.0	1.40	E(0°)	E(C0)	34.9°	5287	1529
1.5	2.09	E(0°)	E(C0)	34.9°	2350	680
2.0	2.79	E(0°)	E(C0)	34.9°	1322	382
2.5	3.49	E(0°)	E(C0)	34.9°	846	245
3.0	4.19	E(0°)	E(C0)	34.9°	587	170

Distance Cone diameter Illuminance

— C0/C180 (Half-peak divergence: 69.8°)

Glare evaluation according to UGR

	70	70	50	50	30	70	70	50	50	30
p Ceiling	70	70	50	50	30	70	70	50	50	30
p Walls	50	30	50	30	30	50	30	50	30	30
p Floor	20	20	20	20	20	20	20	20	20	20

Room size	X	Y	Viewing direction at right angles to lamp axis					Viewing direction parallel to lamp axis				
			2H	4H	6H	8H	12H	2H	4H	6H	8H	12H
2H	2H	18.4	19.3	18.7	19.5	19.8	18.4	19.3	18.7	19.5	19.8	
2H	3H	18.8	19.6	19.1	19.9	20.2	18.8	19.6	19.1	19.9	20.2	
2H	4H	18.9	19.7	19.3	20.0	20.3	18.9	19.7	19.3	20.0	20.3	
2H	6H	19.0	19.7	19.4	20.1	20.4	19.0	19.7	19.4	20.1	20.4	
2H	8H	19.0	19.7	19.4	20.1	20.4	19.0	19.7	19.4	20.1	20.4	
2H	12H	19.1	19.7	19.5	20.1	20.5	19.1	19.7	19.5	20.1	20.5	
4H	2H	18.6	19.3	18.9	19.6	20.0	18.6	19.3	18.9	19.6	20.0	
4H	3H	19.1	19.8	19.5	20.1	20.5	19.1	19.8	19.5	20.1	20.5	
4H	4H	19.3	19.9	19.7	20.3	20.7	19.3	19.9	19.7	20.3	20.7	
4H	6H	19.5	20.0	19.9	20.4	20.8	19.5	20.0	19.9	20.4	20.8	
4H	8H	19.6	20.0	20.0	20.4	20.9	19.6	20.0	20.0	20.4	20.9	
4H	12H	19.6	20.0	20.1	20.5	20.9	19.6	20.0	20.1	20.5	20.9	
8H	4H	19.4	19.8	19.8	20.2	20.7	19.4	19.8	19.8	20.2	20.7	
8H	6H	19.6	20.0	20.1	20.4	20.9	19.6	20.0	20.1	20.4	20.9	
8H	8H	19.7	20.0	20.2	20.5	21.0	19.7	20.0	20.2	20.5	21.0	
8H	12H	19.8	20.1	20.4	20.6	21.2	19.8	20.1	20.4	20.6	21.2	
12H	4H	19.3	19.7	19.8	20.2	20.7	19.3	19.7	19.8	20.2	20.7	
12H	6H	19.6	19.9	20.1	20.4	20.9	19.6	19.9	20.1	20.4	20.9	
12H	8H	19.7	20.0	20.3	20.5	21.1	19.7	20.0	20.3	20.5	21.1	

Variation of the observer position for the luminaire distances S

S = 1.0H	+2.0 / -1.0	+2.0 / -1.0
S = 1.5H	+3.8 / -1.6	+3.8 / -1.6
S = 2.0H	+5.5 / -2.4	+5.5 / -2.4

Standard table	BK02	BK02
Correction summand	1.8	1.8

Correction glare indices referring to 10000lm total luminous flux

Status 08.12.2020

Technical amendments and errors reserved.