

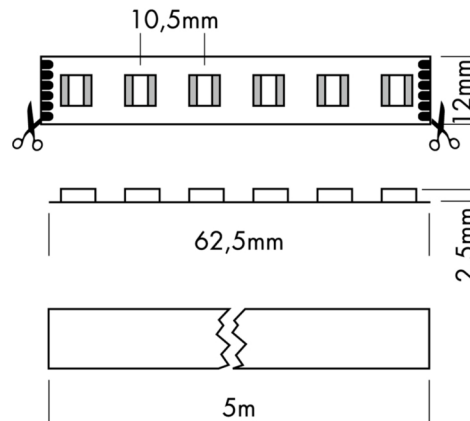
Data sheet

L65D906HD - Flex Strip RGB+CCT 5-in-1 HD

PROLED®

Article name: Flex Strip RGB+CCT 5-in-1 HD

Article number: L65D906HD



Article description:

The PROLED FLEX STRIPS are perfect for indirect lighting, as custom made versions for fair or shop applications as well as for all kinds of illumination. Due to their shallow design and the individually adaptable lengths the PROLED FLEX STRIPS offer a wide spectrum of application possibilities.

- RGBW+WW (5 colours in one LED). Pastel colour shades and adjustment of the colour temperature possible.
- High flexibility - adaptable to round shapes.
- Installation with 3M adhesive tape on the strip's backside (self adhesive).
- dimmable, autom. colour change, controllable via DMX 512, DALI, KNX, 1-10V, CASAMBI, RF by MULTI power supplies/controller

Technical:

Mounting type: Surface-mounted on ceiling

Adjustability: Fixed

Controllability: Colour adjustable, Dimmable

Safety: IP20

Temperature range: -10...45 °C

Lifetime: 50.000 h at L80B10

Electric:

System power: 40 W

Current: 24 V

Safety class: 3

EEL: G

UGR: -

Shape and dimensions:

Length: 1000 mm

Width: 12 mm

Height: 3 mm

Weight: -

State 02.11.2022

Technical amendments and errors reserved.

PROLED®

MBN GmbH | Balthasar-Schaller-Str. 3 | 86316 Friedberg | Germany

Phone +49.821.60099-0 | Fax +49.821.60099-99

info@proled.com | proled.com

Light output 1 (LED 6500K - CRI 80):

Lamp type:	LED
Lamp power:	8 W
Total luminous flux:	750 lm
Light efficiency:	93.8 lm/W
CCT:	6500 K
CRI:	0
Light distribution:	(Symmetrical) Wide flood (half value angle 45°...125°)

Light output 2 (LED 2400K - CRI 80):

Lamp type:	LED
Lamp power:	8 W
Total luminous flux:	650 lm
Light efficiency:	81.2 lm/W
CCT:	2400 K
CRI:	-
Light distribution:	(Symmetrical) Wide flood (half value angle 45°...125°)

Light output 3 (LED Blue):

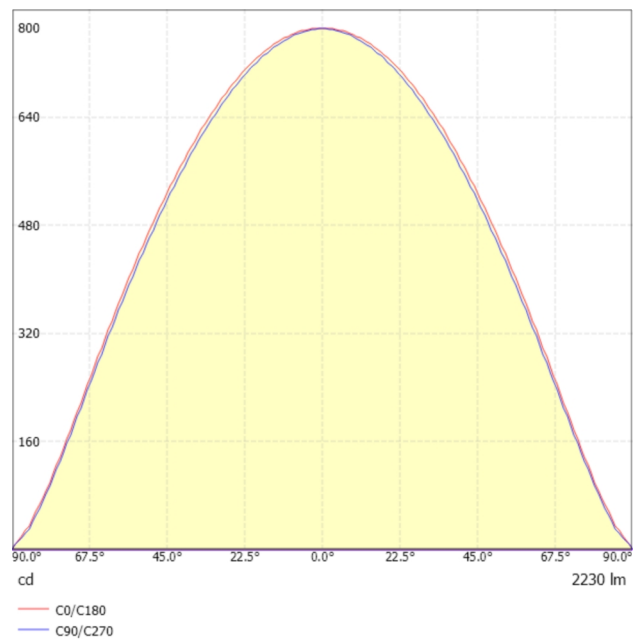
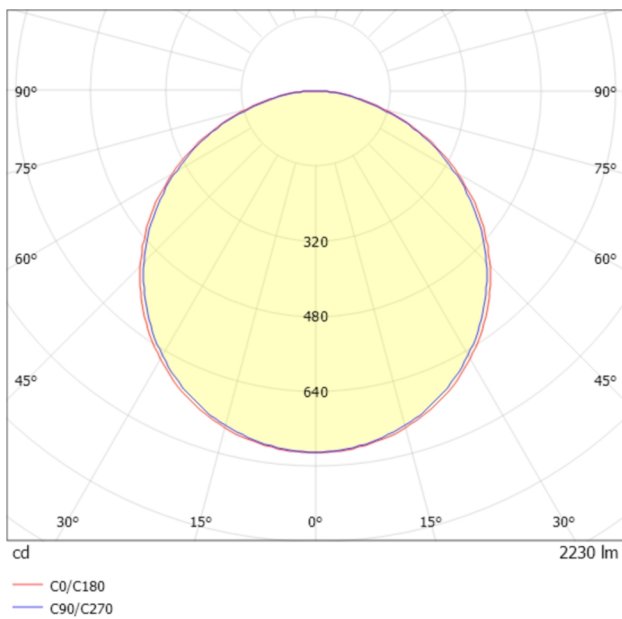
Lamp type:	LED
Lamp power:	8 W
Total luminous flux:	100 lm
Light efficiency:	12.5 lm/W
CCT:	3000 K
CRI:	0
Light distribution:	(Symmetrical) Wide flood (half value angle 45°...125°)

Light output 4 (LED Green):

Lamp type:	LED
Lamp power:	8 W
Total luminous flux:	530 lm
Light efficiency:	66.2 lm/W
CCT:	3000 K
CRI:	0
Light distribution:	(Symmetrical) Wide flood (half value angle 45°...125°)

Light output 5 (LED Red):

Lamp type:	LED
Lamp power:	8 W
Total luminous flux:	200 lm
Light efficiency:	25 lm/W
CCT:	3000 K
CRI:	0
Light distribution:	(Symmetrical) Wide flood (half value angle 45° ...125°)



Data sheet

L65D906HD - Flex Strip RGB+CCT 5-in-1 HD



Distance	Cone diameter	Illuminance
0.5	1.51	E(0°) 2110
	1.56	E(C90) 56.4° 179
		E(C0) 57.3° 166
1.0	3.01	E(0°) 527
	3.12	E(C90) 56.4° 45
		E(C0) 57.3° 42
1.5	4.52	E(0°) 234
	4.67	E(C90) 56.4° 20
		E(C0) 57.3° 18
2.0	6.02	E(0°) 132
	6.23	E(C90) 56.4° 11
		E(C0) 57.3° 10
2.5	7.53	E(0°) 84
	7.79	E(C90) 56.4° 7
		E(C0) 57.3° 7
3.0	9.03	E(0°) 59
	9.35	E(C90) 56.4° 5
		E(C0) 57.3° 5

— C0/C180 (Half-peak divergence: 114.6°)
 — C90/C270 (Half-peak divergence: 112.8°)

Glare evaluation according to UGR

ρ Ceiling	70	70	50	50	30	70	70	50	50	30	
ρ Walls	50	30	50	30	30	50	30	50	30	30	
ρ Floor	20	20	20	20	20	20	20	20	20	20	
Room size	Viewing direction at □ right angles to lamp axis					Viewing direction □ parallel to lamp axis					
X	Y										
2H	2H	27.3	28.6	27.6	28.9	29.1	27.2	28.5	27.5	28.8	29.0
2H	3H	28.9	30.1	29.2	30.3	30.6	28.7	29.9	29.1	30.2	30.5
2H	4H	29.5	30.6	29.8	30.9	31.2	29.3	30.5	29.7	30.7	31.0
2H	6H	29.9	31.0	30.3	31.3	31.6	29.7	30.8	30.1	31.1	31.4
2H	8H	30.0	31.1	30.4	31.4	31.7	29.9	30.9	30.2	31.2	31.5
2H	12H	30.1	31.1	30.5	31.4	31.8	29.9	30.9	30.3	31.2	31.6
4H	2H	28.0	29.1	28.3	29.4	29.7	27.9	29.0	28.2	29.3	29.6
4H	3H	29.7	30.7	30.1	31.0	31.4	29.6	30.6	30.0	30.9	31.3
4H	4H	30.5	31.3	30.9	31.7	32.1	30.3	31.2	30.7	31.6	31.9
4H	6H	31.0	31.8	31.4	32.1	32.6	30.9	31.6	31.3	32.0	32.4
4H	8H	31.2	31.9	31.6	32.3	32.7	31.0	31.7	31.5	32.1	32.5
4H	12H	31.3	31.9	31.8	32.4	32.8	31.1	31.7	31.6	32.2	32.6
8H	4H	30.7	31.4	31.2	31.8	32.3	30.6	31.3	31.1	31.7	32.1
8H	6H	31.4	32.0	31.9	32.4	32.9	31.3	31.8	31.8	32.3	32.7
8H	8H	31.7	32.2	32.2	32.6	33.1	31.5	32.0	32.0	32.5	33.0
8H	12H	31.9	32.3	32.4	32.8	33.3	31.7	32.1	32.2	32.6	33.1
12H	4H	30.8	31.4	31.2	31.8	32.2	30.7	31.3	31.1	31.7	32.1
12H	6H	31.5	32.0	32.0	32.4	32.9	31.3	31.8	31.8	32.3	32.8
12H	8H	31.8	32.2	32.3	32.7	33.2	31.6	32.0	32.1	32.5	33.0

Variation of the observer position for the luminaire distances S

Correction command	+0.14, ±0.1	+0.14, ±0.1
S = 1.5H	+0.17, ±0.3	+0.17, ±0.4
Standard table	+0.16, ±0.3	+0.16, ±0.4
Consider the indices referring to 2220lm at 125% luminous flux	+0.14, ±0.1	+0.14, ±0.1

State 02.11.2022

Technical amendments and errors reserved.