

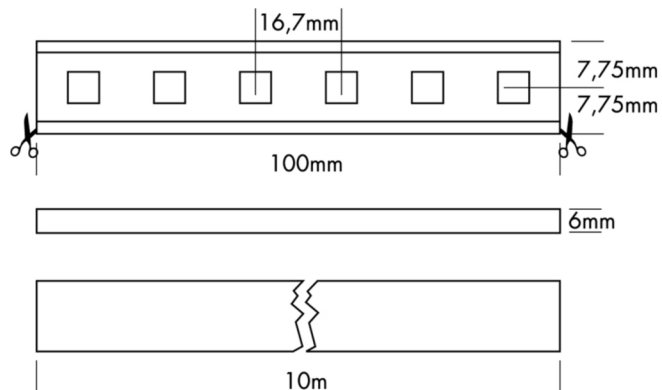
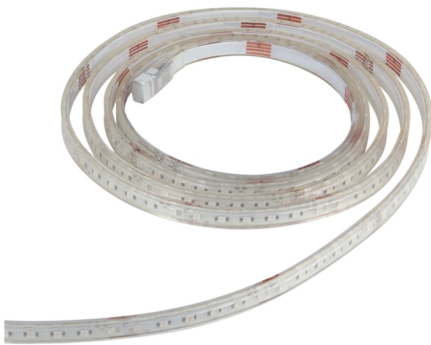
Data sheet

L65XT000 - Flex Strip XTREME RGB

PROLED®

Article name: Flex Strip XTREME RGB

Article number: L65XT000



Article description:

The PROLED FLEX STRIP Xtreme is perfectly suitable for outdoor applications. Ideal for wall-mounting, for emphasis lighting of terraces or wellness areas as well as for the illumination of advertisement signs. Due to the low size and the individually adaptable length the PROLED FLEX STRIP Xtreme provides a wide range of application possibilities.

- 3 colours in one LED, therefore 100% smooth colour mixing.
- UV resistant
- High rigidity
- High flexibility - adaptable to round shapes (minimum bending radius 2,5cm)
- IP67 for outdoor use (power supply cable/end caps IP65 when correctly sealed)
- dimmable, autom. colour change, controllable via DMX 512, DALI, KNX, 1-10V, CASAMBI, RF by MULTI power supplies/controller
- up to 10m with a single power supply line, up to 20m with power supply lines on both ends

Technical:

Mounting type: Surface-mounted on ceiling
Adjustability: Fixed
Controllability: Dimmable, Colour adjustable
Safety: IP67
Temperature range: -20...45 °C
Lifetime: 50.000 h at L80B10

Electric:
System power: 10.7 W
Current: 24 V
Safety class: 3
EEL: A++ - A
UGR: -

Shape and dimensions:

Length: 1000 mm
Width: 16 mm
Height: 6 mm
Weight: -

Status 08.12.2020

Technical amendments and errors reserved.

Light output 1 (LED Blue):

Lamp type:	LED
Lamp power:	4.4 W
Total luminous flux:	90 lm
Light efficiency:	20.5 lm/W
CCT:	-
CRI:	-
Light distribution:	(Symmetrical) Wide flood (half value angle 45°...125°)

Light output 2 (LED Green):

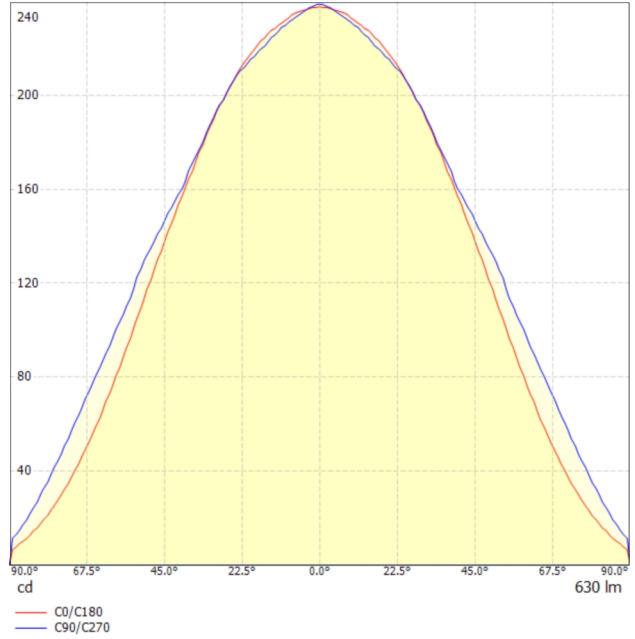
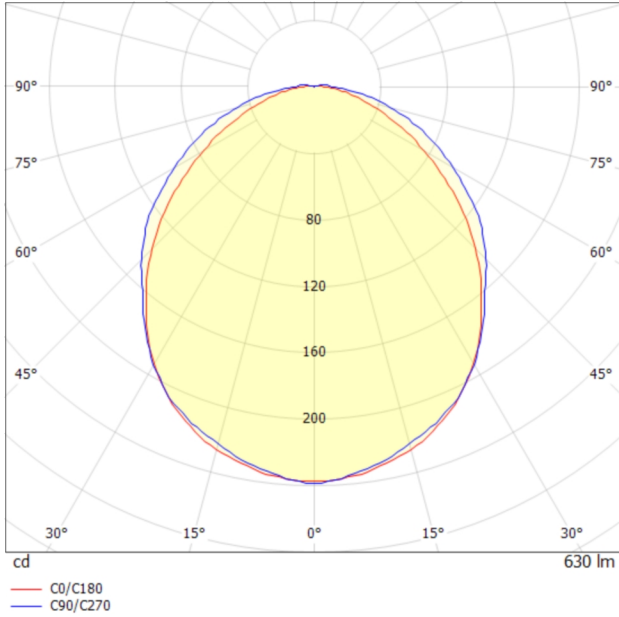
Lamp type:	LED
Lamp power:	3.4 W
Total luminous flux:	400 lm
Light efficiency:	117.6 lm/W
CCT:	-
CRI:	-
Light distribution:	(Symmetrical) Wide flood (half value angle 45°...125°)

Light output 3 (LED Red):

Lamp type:	LED
Lamp power:	2.9 W
Total luminous flux:	140 lm
Light efficiency:	48.3 lm/W
CCT:	-
CRI:	-
Light distribution:	(Symmetrical) Wide flood (half value angle 45°...125°)

Data sheet

L65XT000 - Flex Strip XTREME RGB



Distance	Cone diameter	illuminance
0.5	1.36 1.17	E(0°) 442 E(C90) 53.6° 46 E(C0) 49.6° 60
1.0	2.71 2.35	E(0°) 110 E(C90) 53.6° 12 E(C0) 49.6° 15
1.5	4.07 3.52	E(0°) 49 E(C90) 53.6° 5 E(C0) 49.6° 7
2.0	5.43 4.70	E(0°) 28 E(C90) 53.6° 3 E(C0) 49.6° 4
2.5	6.78 5.87	E(0°) 18 E(C90) 53.6° 2 E(C0) 49.6° 2
3.0	8.14 7.05	E(0°) 12 E(C90) 53.6° 1 E(C0) 49.6° 2

Distance Cone diameter Illuminance

— C0/C180 (Half-peak divergence: 99.2°)
— C90/C270 (Half-peak divergence: 107.2°)

Glare evaluation according to UGR

	70	70	50	50	30	70	70	50	50	30
ρ Ceiling	70	70	50	50	30	70	70	50	50	30
ρ Walls	50	30	50	30	30	50	30	50	30	30
ρ Floor	20	20	20	20	20	20	20	20	20	20

Room size X	Y	Viewing direction at right angles to lamp axis					Viewing direction parallel to lamp axis					
		2H	3H	4H	6H	8H	12H	2H	3H	4H	6H	8H
2H	2H	16.1	17.4	16.4	17.7	17.9	17.4	18.7	17.7	18.9	19.2	19.6
2H	3H	17.1	18.3	17.5	18.6	18.9	19.1	20.2	19.4	20.5	20.8	21.5
2H	4H	17.5	18.6	17.9	18.9	19.2	19.8	20.9	20.1	21.2	21.5	22.1
2H	6H	17.8	18.8	18.1	19.1	19.4	20.4	21.4	20.8	21.8	22.1	22.7
2H	8H	17.8	18.8	18.2	19.2	19.5	20.7	21.7	21.1	22.0	22.4	22.9
2H	12H	17.9	18.8	18.3	19.2	19.5	21.0	21.9	21.4	22.2	22.6	23.1
4H	2H	16.8	17.9	17.2	18.2	18.5	17.8	18.9	18.2	19.2	19.6	20.1
4H	3H	18.0	19.0	18.4	19.3	19.7	19.7	20.6	20.1	20.9	21.3	21.8
4H	4H	18.5	19.4	18.9	19.7	20.1	20.5	21.4	20.9	21.7	22.1	22.6
4H	6H	18.9	19.6	19.3	20.0	20.4	21.3	22.0	21.7	22.4	22.9	23.3
4H	8H	19.0	19.7	19.5	20.1	20.5	21.6	22.3	22.1	22.7	23.2	23.7
4H	12H	19.1	19.7	19.6	20.1	20.6	22.0	22.6	22.4	23.0	23.5	24.0
8H	4H	18.9	19.5	19.3	20.0	20.4	20.7	21.3	21.1	21.8	22.2	22.7
8H	6H	19.4	19.9	19.8	20.4	20.9	21.6	22.1	22.1	22.6	23.1	23.6
8H	8H	19.6	20.0	20.1	20.5	21.0	22.0	22.5	22.5	23.0	23.5	24.0
8H	12H	19.7	20.1	20.2	20.6	21.2	22.4	22.9	23.0	23.4	23.9	24.4
12H	4H	18.9	19.5	19.4	20.0	20.4	20.7	21.3	21.1	21.7	22.2	22.7
12H	6H	19.5	20.0	20.0	20.4	20.9	21.6	22.1	22.1	22.6	23.1	23.6
12H	8H	19.7	20.1	20.2	20.6	21.1	22.1	22.5	22.6	23.0	23.5	24.0

Variation of the observer position for the luminaire distances S

S = 1.0H	+0.2 / -0.2	+0.1 / -0.1
S = 1.5H	+0.4 / -0.6	+0.2 / -0.2
S = 2.0H	+0.6 / -1.2	+0.4 / -0.6

Standard table	BK05	BK07
Correction summand	2.3	5.4

Correction glare indices referring to 630lm total luminous flux

Status 08.12.2020

Technical amendments and errors reserved.

PROLED ®

MBN GmbH | Balthasar-Schaller-Str. 3 | 86316 Friedberg | Germany

Phone +49.821.60099-0 | Fax +49.821.60099-99

info@proled.com | proled.com