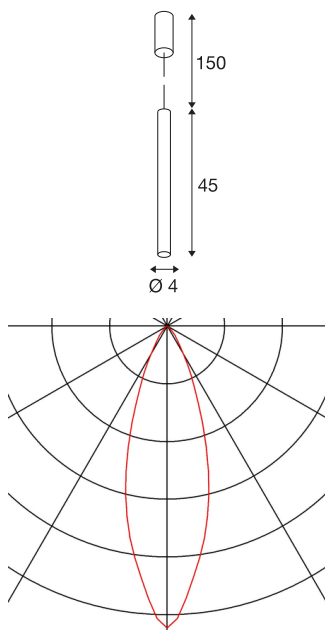




## HELIA 40

pendant, LED, 3000K, round, black, 9W

With the HELIA 40 you have a pendant with a purist and clear design. This luminaire is available in black, white and brushed copper. A 9 W warm-white premium LED is integrated, this is supplied from the built-in constant current driver. The luminaire is delivered with a 1.5 m connection lead. This means the luminaire is ready for direct connection to the 230V mains supply.



## TECHNICAL DATA

Item no.:	152370
Lamps included	0
Number of different light outlets	1
Primary nominal voltage	220-240V ~50/60Hz mA/V
Secondary power / secondary voltage	500 mA/V
Length	45.0 cm
Pendant length	150.0 cm
Diameter	4.0 cm
Net weight	0.893 kg
Gross weight	1.117 kg
IP Code	IP 20
Safety class	I
Assembly	Surface
Assembly details	Ceiling
Dimming technology	Leading edge
Wattage	12 W
Lumen	700 lm
Colour temperature	3000 Kelvin
Beam angle	30 °
Color	black
CRI	>90
Binning	6



LXXBXX data	70/50
Service life	30000 h
Maximum ambient temperature	30 °C
BIG WHITE Page	127

**Notes**

---

---

---

---

---