

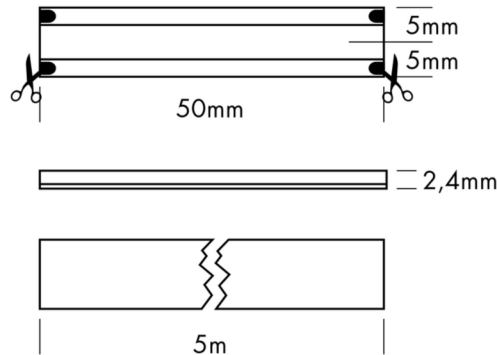
Data sheet

L62C026 - Flex Strip COB - SWW

PROLED®

Article name: Flex Strip COB - SWW

Article number: L62C026



Article description:

The PROLED FLEX STRIPS are perfect for indirect lighting, as custom made versions for fair or shop applications as well as for all kinds of illumination. Due to their shallow design and the individually adaptable lengths the PROLED FLEX STRIPS offer a wide spectrum of application possibilities.

- High efficiency (100 Lumen per Watt)
- High flexibility – adaptable to round shapes
- Installation with 3M adhesive tape on the strip's backside (self adhesive).
- dimmable and controllable via DMX 512, DALI, KNX, 1-10 V, CASAMBI, RF by MULTI power supplies/controller

Technical:

Mounting type:	Surface-mounted on ceiling	Electric:	
Adjustability:	Fixed	System power:	15 W
Controllability:	Dimmable	Current:	24 V
Safety:	IP20	Safety class:	3
Temperature range:	-10...45 °C	EEL:	A++ - A
Lifetime:	50.000 h at L80B10	UGR:	31.33

Shape and dimensions:

Length:	1000 mm
Width:	10 mm
Height:	2 mm
Weight:	-

Status 08.12.2020

Technical amendments and errors reserved.

PROLED®

MBN GmbH | Balthasar-Schaller-Str. 3 | 86316 Friedberg | Germany
Phone +49.821.60099-0 | Fax +49.821.60099-99
info@proled.com | proled.com

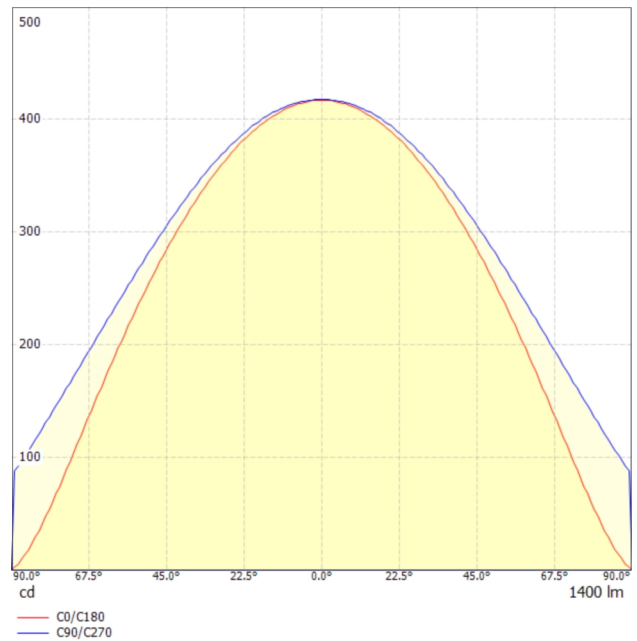
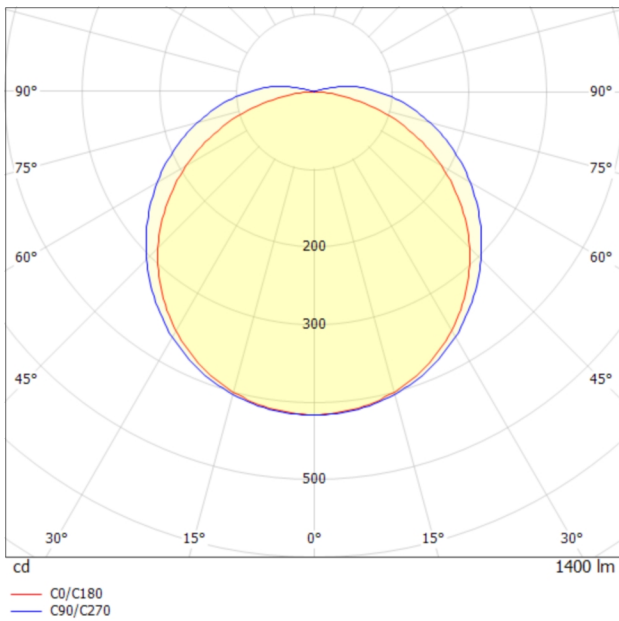
Data sheet

L62C026 - Flex Strip COB - SWW

PROLED®

Light output 1 (LED 2700K - CRI 90):

Lamp type:	LED
Lamp power:	15 W
Total luminous flux:	1400 lm
Light efficiency:	93.3 lm/W
CCT:	2700 K
CRI:	90
Light distribution:	(Symmetrical) Wide flood (half value angle 45° ... 125°)



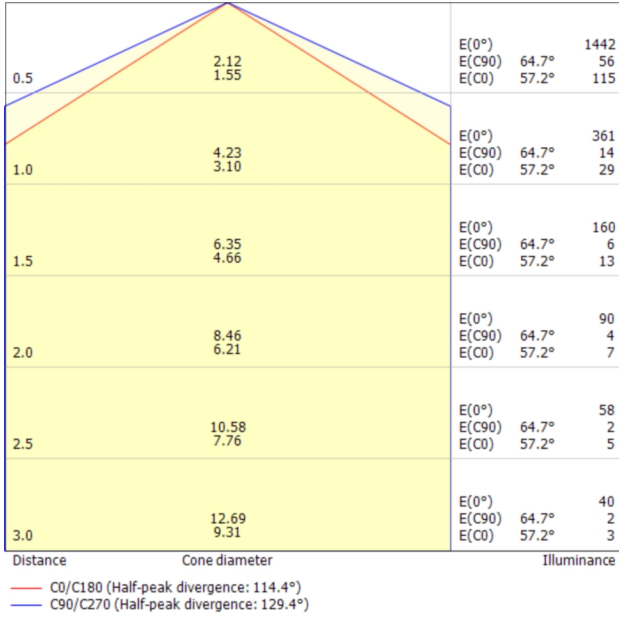
Status 08.12.2020

Technical amendments and errors reserved.

PROLED®
MBN GmbH | Balthasar-Schaller-Str. 3 | 86316 Friedberg | Germany
Phone +49.821.60099-0 | Fax +49.821.60099-99
info@proled.com | proled.com

Data sheet

L62C026 - Flex Strip COB - SWW



Glare evaluation according to UGR

Room size	X	Y	Viewing direction at right angles to lamp axis					Viewing direction parallel to lamp axis				
p Ceiling	70	70	50	50	30	30	70	70	50	50	30	30
p Walls	50	30	50	30	30	30	50	30	50	30	30	30
p Floor	20	20	20	20	20	20	20	20	20	20	20	20
2H	2H	27.0	28.3	27.3	28.6	28.9	27.7	29.0	28.0	29.3	29.6	29.6
2H	3H	28.6	29.8	29.0	30.2	30.5	29.9	31.1	30.2	31.4	31.8	31.8
2H	4H	29.2	30.4	29.6	30.8	31.1	31.0	32.2	31.4	32.6	32.9	32.9
2H	6H	29.7	30.8	30.1	31.2	31.5	32.3	33.4	32.7	33.7	34.1	34.1
2H	8H	29.8	30.9	30.3	31.3	31.7	32.9	34.0	33.3	34.3	34.7	34.7
2H	12H	29.9	30.9	30.3	31.3	31.7	33.6	34.7	34.1	35.0	35.5	35.5
4H	2H	27.8	29.0	28.2	29.4	29.7	28.4	29.5	28.7	29.9	30.2	30.2
4H	3H	29.7	30.7	30.1	31.1	31.5	30.8	31.8	31.2	32.2	32.6	32.6
4H	4H	30.5	31.4	31.0	31.8	32.3	32.1	33.0	32.5	33.4	33.8	33.8
4H	6H	31.1	31.9	31.6	32.4	32.8	33.5	34.3	34.0	34.7	35.2	35.2
4H	8H	31.3	32.1	31.8	32.5	33.0	34.2	35.0	34.7	35.4	35.9	35.9
4H	12H	31.5	32.1	32.0	32.6	33.1	35.1	35.8	35.6	36.3	36.8	36.8
8H	4H	31.1	31.8	31.6	32.3	32.8	32.4	33.2	32.9	33.6	34.1	34.1
8H	6H	31.9	32.6	32.5	33.0	33.6	34.1	34.7	34.6	35.2	35.7	35.7
8H	8H	32.3	32.8	32.8	33.3	33.9	35.0	35.5	35.5	36.0	36.6	36.6
8H	12H	32.6	33.0	33.1	33.6	34.1	36.0	36.5	36.6	37.0	37.6	37.6
12H	4H	31.2	31.9	31.7	32.4	32.9	32.5	33.2	33.0	33.6	34.1	34.1
12H	6H	32.2	32.7	32.7	33.2	33.8	34.2	34.7	34.7	35.2	35.8	35.8
12H	8H	32.6	33.1	33.2	33.6	34.2	35.1	35.6	35.7	36.1	36.7	36.7
Variation of the observer position for the luminaire distances S												
S = 1.0H	+0.1 / -0.1					+0.1 / -0.1						
S = 1.5H	+0.2 / -0.3					+0.2 / -0.2						
S = 2.0H	+0.3 / -0.6					+0.3 / -0.4						
Standard table	BK07					BK11						
Correction summand	15.3					19.4						
Correction glare indices referring to 1400lm total luminous flux												