

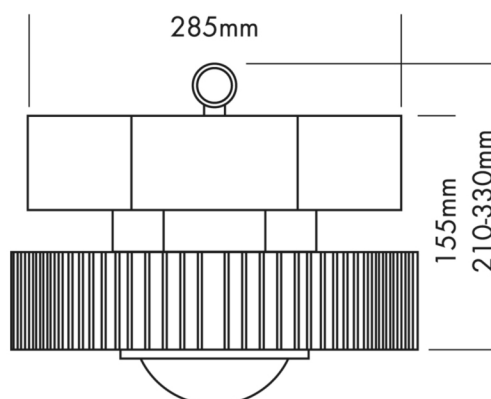
## Data sheet

L711H274+L711HAR1 - High Bay 160 - W - reflector Alu 45deg

**PROLED**<sup>®</sup>

Article name: High Bay 160 - W - reflector Alu 45deg

Article number: L711H274+L711HAR1



### Article description:

LED high bay luminaire for factory buildings, production halls, assembly halls, storage buildings, sales areas, exhibition spaces, ...

### Technical:

<b>Mounting type:</b>	Suspended	<b>Electric:</b>	
<b>Adjustability:</b>	Fixed	System power:	160 W
<b>Controllability:</b>	Dimmable	Current:	220-240 V
<b>Safety:</b>	IP20	Safety class:	1
<b>Temperature range:</b>	-40...55 °C	EEL:	A++ - A
<b>Lifetime:</b>	50.000 h at L80B10	UGR:	18.82

### Shape and dimensions:

Height:	465 mm
Diameter:	420 mm
Weight:	5.5 kg

### Light output 1 (LED 5700K - CRI 80):

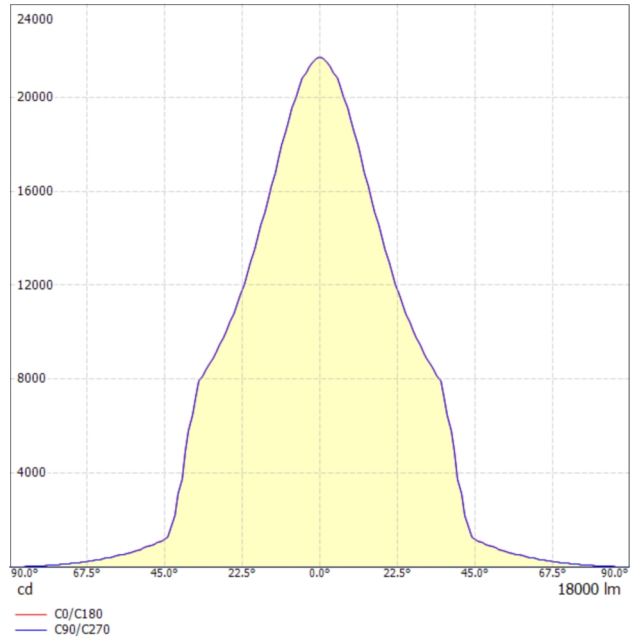
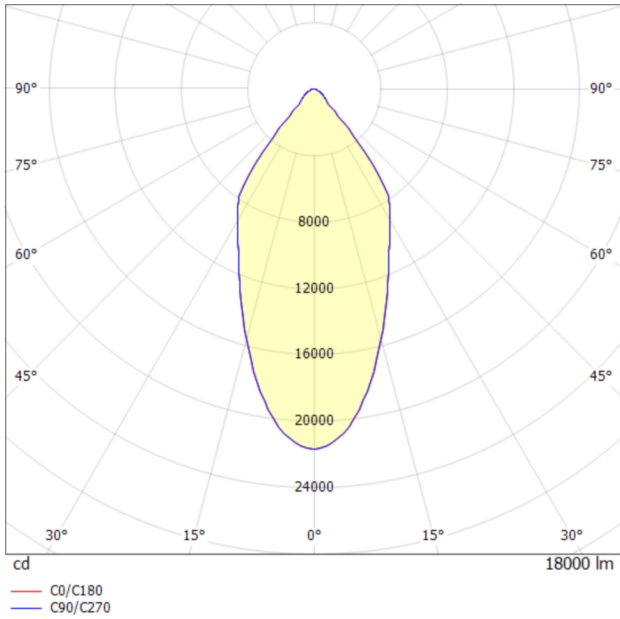
<b>Lamp type:</b>	LED
<b>Lamp power:</b>	160 W
<b>Total luminous flux:</b>	18000 lm
<b>Light efficiency:</b>	112.5 lm/W
<b>CCT:</b>	5700 K
<b>CRI:</b>	80
<b>Light distribution:</b>	(Symmetrical) Medium flood (half value angle 15°...45°)

Status 08.12.2020

Technical amendments and errors reserved.

# Data sheet

L711H274+L711HAR1 - High Bay 160 - W - reflector Alu 45deg



Distance	Cone diameter	E(0°)	E(C0)	24.7°	18000 lm
0.5	0.46	E(0°)	70136		
		E(C0)	26363		
1.0	0.92	E(0°)	17534		
		E(C0)	6591		
1.5	1.38	E(0°)	7793		
		E(C0)	2929		
2.0	1.84	E(0°)	4384		
		E(C0)	1648		
2.5	2.30	E(0°)	2805		
		E(C0)	1055		
3.0	2.76	E(0°)	1948		
		E(C0)	732		

Distance Cone diameter Illuminance

— C0/C180 (Half-peak divergence: 49.4°)

### Glare evaluation according to UGR

	70	70	50	50	30	70	70	50	50	30
ρ Ceiling	70	70	50	50	30	70	70	50	50	30
ρ Walls	50	30	50	30	30	50	30	50	30	30
ρ Floor	20	20	20	20	20	20	20	20	20	20

Room size	X	Y	Viewing direction at right angles to lamp axis					Viewing direction parallel to lamp axis				
			2H	4H	6H	8H	12H	2H	4H	6H	8H	12H
2H	2H	18.7	19.4	18.9	19.6	19.8	18.7	19.4	18.9	19.6	19.8	
2H	3H	18.8	19.5	19.0	19.7	19.9	18.8	19.5	19.0	19.7	19.9	
2H	4H	18.8	19.4	19.1	19.7	19.9	18.8	19.4	19.1	19.7	19.9	
2H	6H	18.8	19.3	19.1	19.6	19.9	18.8	19.3	19.1	19.6	19.9	
2H	8H	18.7	19.3	19.1	19.6	19.9	18.7	19.3	19.1	19.6	19.9	
2H	12H	18.7	19.2	19.1	19.6	19.9	18.7	19.2	19.1	19.6	19.9	
4H	2H	18.6	19.3	18.9	19.5	19.8	18.6	19.3	18.9	19.5	19.8	
4H	3H	18.8	19.3	19.1	19.6	19.9	18.8	19.3	19.1	19.6	19.9	
4H	4H	18.8	19.3	19.2	19.6	20.0	18.8	19.3	19.2	19.6	20.0	
4H	6H	18.8	19.2	19.2	19.6	20.0	18.8	19.2	19.2	19.6	20.0	
4H	8H	18.8	19.2	19.2	19.6	20.0	18.8	19.2	19.2	19.6	20.0	
4H	12H	18.8	19.1	19.2	19.5	19.9	18.8	19.1	19.2	19.5	19.9	
8H	4H	18.8	19.1	19.2	19.5	19.9	18.8	19.1	19.2	19.5	19.9	
8H	6H	18.8	19.1	19.3	19.5	19.9	18.8	19.1	19.3	19.5	19.9	
8H	8H	18.8	19.0	19.3	19.5	19.9	18.8	19.0	19.3	19.5	19.9	
8H	12H	18.8	19.0	19.3	19.4	19.9	18.8	19.0	19.3	19.4	19.9	
12H	4H	18.7	19.0	19.2	19.4	19.9	18.7	19.0	19.2	19.4	19.9	
12H	6H	18.8	19.0	19.2	19.4	19.9	18.8	19.0	19.2	19.4	19.9	
12H	8H	18.8	19.0	19.3	19.4	19.9	18.8	19.0	19.3	19.4	19.9	

Variation of the observer position for the luminaire distances S

S = 1.0H	+3.3 / -3.4	+3.3 / -3.4
S = 1.5H	+5.8 / -4.2	+5.8 / -4.2
S = 2.0H	+7.7 / -5.1	+7.7 / -5.1

Standard table	BK01	BK01
Correction summand	0.8	0.8

Correction glare indices referring to 18000lm total luminous flux

Status 08.12.2020

Technical amendments and errors reserved.

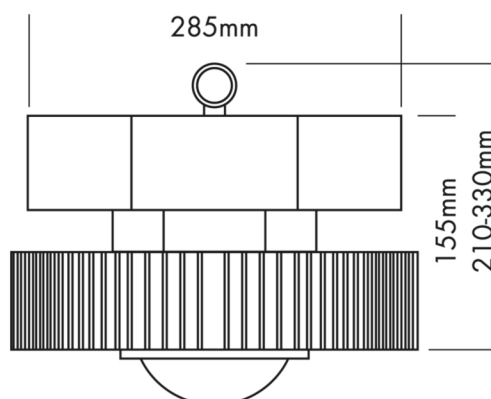
## Data sheet

L711H274+L711HAR2 - High Bay 160 - W - Reflektor Alu 70deg

**PROLED**<sup>®</sup>

Article name: High Bay 160 - W - Reflektor Alu 70deg

Article number: L711H274+L711HAR2



### Article description:

LED high bay luminaire for factory buildings, production halls, assembly halls, storage buildings, sales areas, exhibition spaces, ...

### Technical:

<b>Mounting type:</b>	Suspended	<b>Electric:</b>	
<b>Adjustability:</b>	Fixed	System power:	160 W
<b>Controllability:</b>	Dimmable	Current:	220-240 V
<b>Safety:</b>	IP20	Safety class:	1
<b>Temperature range:</b>	-40...55 °C	EEL:	A++ - A
<b>Lifetime:</b>	50.000 h at L80B10	UGR:	23.78

### Shape and dimensions:

Height:	355 mm
Diameter:	495 mm
Weight:	5.5 kg

### Light output 1 (LED 5700K - CRI 80):

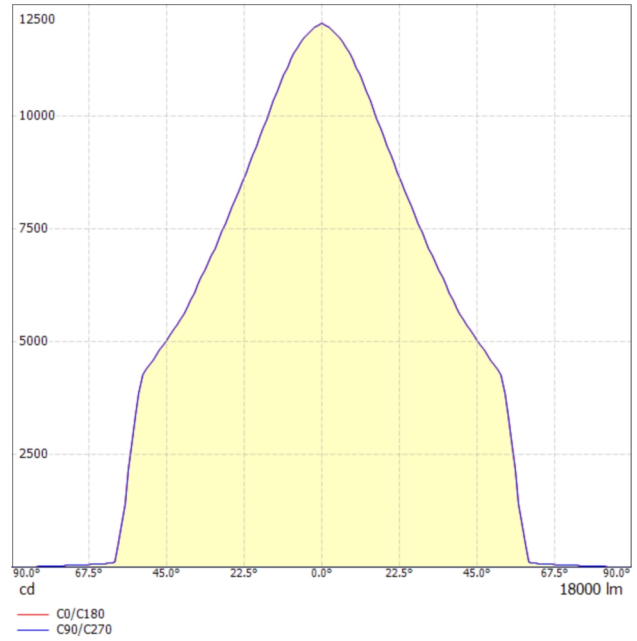
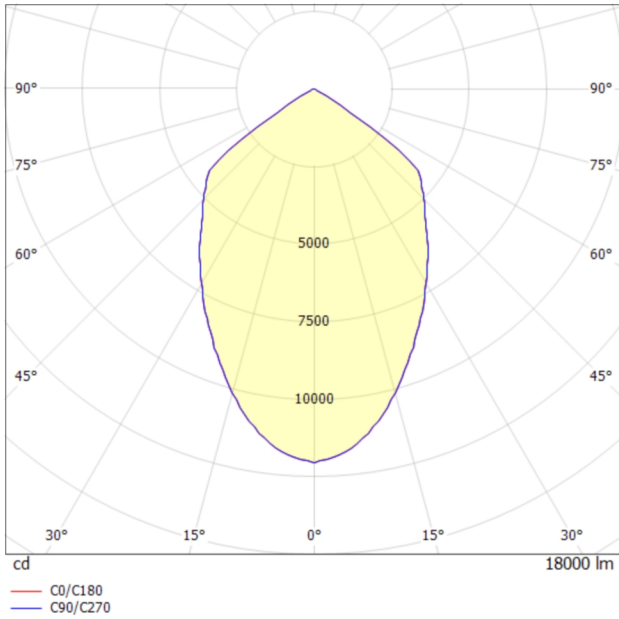
<b>Lamp type:</b>	LED
<b>Lamp power:</b>	160 W
<b>Total luminous flux:</b>	18000 lm
<b>Light efficiency:</b>	112.5 lm/W
<b>CCT:</b>	5700 K
<b>CRI:</b>	80
<b>Light distribution:</b>	(Symmetrical) Wide flood (half value angle 45°...125°)

Status 08.12.2020

Technical amendments and errors reserved.

# Data sheet

L711H274+L711HAR2 - High Bay 160 - W - Reflektor Alu 70deg



0.5	0.76	E(0°) E(C0)	37.3°	62113 15647
1.0	1.52	E(0°) E(C0)	37.3°	15528 3912
1.5	2.29	E(0°) E(C0)	37.3°	6901 1739
2.0	3.05	E(0°) E(C0)	37.3°	3882 978
2.5	3.81	E(0°) E(C0)	37.3°	2485 626
3.0	4.57	E(0°) E(C0)	37.3°	1725 435
Distance	Cone diameter	Illuminance		

— C0/C180 (Half-peak divergence: 74.6°)

### Glare evaluation according to UGR

ρ Ceiling	70	70	50	50	30	70	70	50	50	30	
ρ Walls	50	30	50	30	30	50	30	50	30	30	
ρ Floor	20	20	20	20	20	20	20	20	20	20	
Room size X	Y	Viewing direction at right angles to lamp axis					Viewing direction parallel to lamp axis				
2H	2H	24.2	25.2	24.5	25.4	25.6	24.2	25.2	24.5	25.4	25.6
2H	3H	24.0	24.9	24.3	25.2	25.4	24.0	24.9	24.3	25.2	25.4
2H	4H	24.0	24.8	24.3	25.1	25.3	24.0	24.8	24.3	25.1	25.3
2H	6H	23.9	24.7	24.2	24.9	25.2	23.9	24.7	24.2	24.9	25.2
2H	8H	23.9	24.6	24.2	24.9	25.2	23.9	24.6	24.2	24.9	25.2
2H	12H	23.8	24.5	24.2	24.8	25.1	23.8	24.5	24.2	24.8	25.1
4H	2H	24.1	24.9	24.4	25.2	25.5	24.1	24.9	24.4	25.2	25.5
4H	3H	24.0	24.6	24.3	25.0	25.3	24.0	24.6	24.3	25.0	25.3
4H	4H	23.9	24.5	24.3	24.8	25.2	23.9	24.5	24.3	24.8	25.2
4H	6H	23.8	24.3	24.2	24.7	25.1	23.8	24.3	24.2	24.7	25.1
4H	8H	23.8	24.2	24.2	24.6	25.0	23.8	24.2	24.2	24.6	25.0
4H	12H	23.7	24.2	24.2	24.6	25.0	23.7	24.2	24.2	24.6	25.0
8H	4H	23.8	24.2	24.2	24.6	25.0	23.8	24.2	24.2	24.6	25.0
8H	6H	23.7	24.1	24.1	24.5	24.9	23.7	24.1	24.1	24.5	24.9
8H	8H	23.7	24.0	24.1	24.4	24.9	23.7	24.0	24.1	24.4	24.9
8H	12H	23.6	23.9	24.1	24.4	24.9	23.6	23.9	24.1	24.4	24.9
12H	4H	23.7	24.2	24.2	24.6	25.0	23.7	24.2	24.2	24.6	25.0
12H	6H	23.7	24.0	24.1	24.4	24.9	23.7	24.0	24.1	24.4	24.9
12H	8H	23.6	23.9	24.1	24.4	24.9	23.6	23.9	24.1	24.4	24.9
Variation of the observer position for the luminaire distances S											
S = 1.0H		+1.7 / -1.4					+1.7 / -1.4				
S = 1.5H		+2.9 / -18.4					+2.9 / -18.4				
S = 2.0H		+4.4 / -19.1					+4.4 / -19.1				
Standard table		BK00					BK00				
Correction summand		5.7					5.7				
Correction glare indices referring to 18000lm total luminous flux											

Status 08.12.2020

Technical amendments and errors reserved.

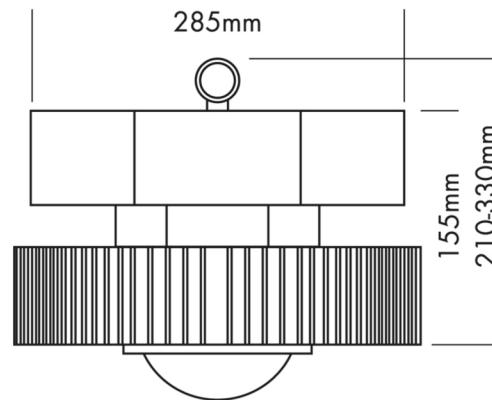
# Data sheet

L711H274+L711HAR4 - High Bay 160 - W - Refl. Polycarbonate

**PROLED**<sup>®</sup>

Article name: High Bay 160 - W - Refl. Polycarbonate

Article number: L711H274+L711HAR4



## Article description:

LED high bay luminaire for factory buildings, production halls, assembly halls, storage buildings, sales areas, exhibition spaces, ...

## Technical:

<b>Mounting type:</b>	Suspended	<b>Electric:</b>	
<b>Adjustability:</b>	Fixed	System power:	160 W
<b>Controllability:</b>	Dimmable	Current:	220-240 V
<b>Safety:</b>	IP20	Safety class:	1
<b>Temperature range:</b>	-40...55 °C	EEL:	A++ - A
<b>Lifetime:</b>	50.000 h at L80B10	UGR:	18.1

## Shape and dimensions:

Height:	480 mm
Diameter:	410 mm
Weight:	5.5 kg

## Light output 1 (LED 5700K - CRI 80):

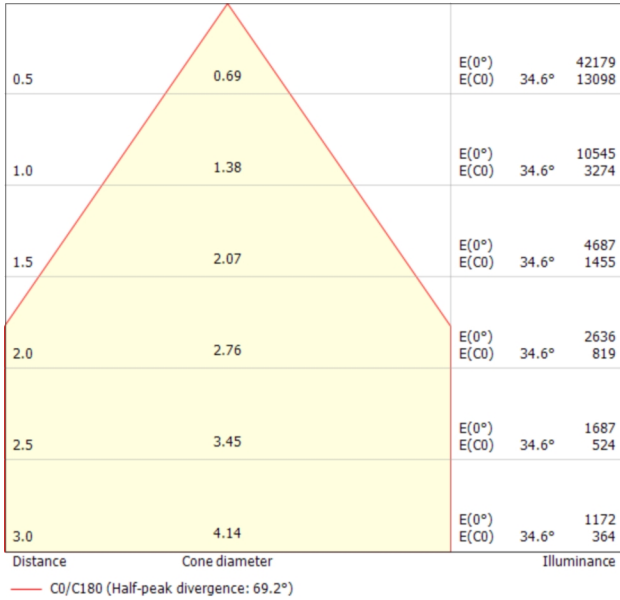
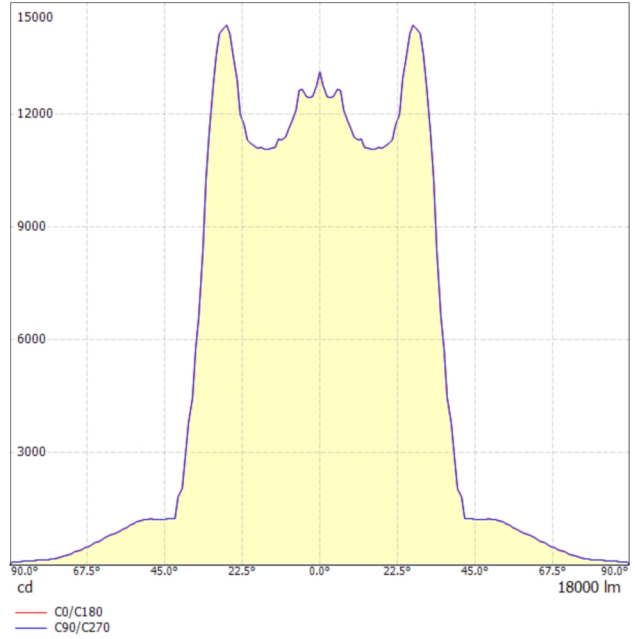
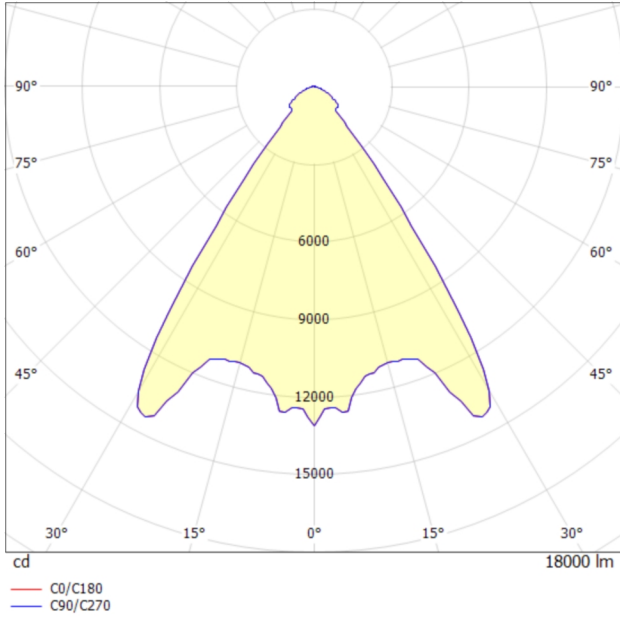
<b>Lamp type:</b>	LED
<b>Lamp power:</b>	160 W
<b>Total luminous flux:</b>	18000 lm
<b>Light efficiency:</b>	112.5 lm/W
<b>CCT:</b>	5700 K
<b>CRI:</b>	80
<b>Light distribution:</b>	(Symmetrical) Wide flood (half value angle 45°...125°)

Status 08.12.2020

Technical amendments and errors reserved.

# Data sheet

L711H274+L711HAR4 - High Bay 160 - W - Refl. Polycarbonate



### Glare evaluation according to UGR

ρ Ceiling	70	70	50	50	30	70	70	50	50	30
ρ Walls	50	30	50	30	30	50	30	50	30	30
ρ Floor	20	20	20	20	20	20	20	20	20	20

Room size X	Y	Viewing direction at right angles to lamp axis					Viewing direction parallel to lamp axis				
		2H	2H	17.7	18.5	18.0	18.7	19.0	17.7	18.5	18.0
2H	3H	17.9	18.6	18.2	18.9	19.2	17.9	18.6	18.2	18.9	19.2
2H	4H	17.9	18.6	18.3	18.9	19.2	17.9	18.6	18.3	18.9	19.2
2H	6H	17.9	18.5	18.3	18.8	19.2	17.9	18.5	18.3	18.8	19.2
2H	8H	17.9	18.5	18.3	18.8	19.2	17.9	18.5	18.3	18.8	19.2
2H	12H	17.9	18.5	18.3	18.8	19.1	17.9	18.5	18.3	18.8	19.1
4H	2H	17.7	18.4	18.1	18.7	19.0	17.7	18.4	18.1	18.7	19.0
4H	3H	18.0	18.6	18.4	18.9	19.3	18.0	18.6	18.4	18.9	19.3
4H	4H	18.1	18.6	18.5	19.0	19.3	18.1	18.6	18.5	19.0	19.3
4H	6H	18.1	18.5	18.5	18.9	19.3	18.1	18.5	18.5	18.9	19.3
4H	8H	18.1	18.5	18.5	18.9	19.3	18.1	18.5	18.5	18.9	19.3
4H	12H	18.1	18.4	18.6	18.9	19.3	18.1	18.4	18.6	18.9	19.3
8H	4H	18.1	18.4	18.5	18.8	19.3	18.1	18.4	18.5	18.8	19.3
8H	6H	18.1	18.4	18.6	18.8	19.3	18.1	18.4	18.6	18.8	19.3
8H	8H	18.1	18.4	18.6	18.8	19.3	18.1	18.4	18.6	18.8	19.3
8H	12H	18.1	18.3	18.6	18.8	19.4	18.1	18.3	18.6	18.8	19.4
12H	4H	18.0	18.4	18.5	18.8	19.2	18.0	18.4	18.5	18.8	19.2
12H	6H	18.1	18.3	18.5	18.8	19.3	18.1	18.3	18.5	18.8	19.3
12H	8H	18.1	18.3	18.6	18.8	19.3	18.1	18.3	18.6	18.8	19.3

### Variation of the observer position for the luminaire distances S

S = 1.0H	+4.1 / -2.2	+4.1 / -2.2
S = 1.5H	+6.6 / -3.0	+6.6 / -3.0
S = 2.0H	+8.5 / -4.0	+8.5 / -4.0

Standard table	BK01	BK01
Correction summand	0.1	0.1

Correction glare indices referring to 18000lm total luminous flux

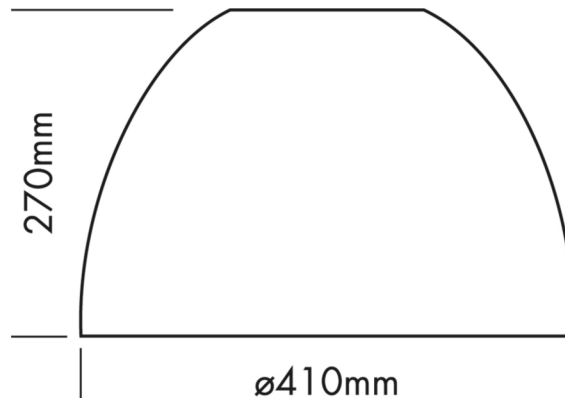
## Data sheet

L711H274+L711HAR5 - High Bay 160 - W - Refl. Polycarbonate + Cover

**PROLED**<sup>®</sup>

Article name: High Bay 160 - W - Refl. Polycarbonate + Cover

Article number: L711H274+L711HAR5



### Article description:

LED high bay luminaire for factory buildings, production halls, assembly halls, storage buildings, sales areas, exhibition spaces, ...

### Technical:

<b>Mounting type:</b>	Suspended	<b>Electric:</b>	
<b>Adjustability:</b>	Fixed	System power:	160 W
<b>Controllability:</b>	Dimmable	Current:	220-240 V
<b>Safety:</b>	IP20	Safety class:	1
<b>Temperature range:</b>	-40...55 °C	EEL:	A++ - A
<b>Lifetime:</b>	50.000 h at L80B10	UGR:	19.53

### Shape and dimensions:

Height:	480 mm
Diameter:	410 mm
Weight:	5.5 kg

### Light output 1 (LED 5700K - CRI 80):

<b>Lamp type:</b>	LED
<b>Lamp power:</b>	160 W
<b>Total luminous flux:</b>	18000 lm
<b>Light efficiency:</b>	112.5 lm/W
<b>CCT:</b>	5700 K
<b>CRI:</b>	80
<b>Light distribution:</b>	(Symmetrical) Wide flood (half value angle 45°...125°)

Status 08.12.2020

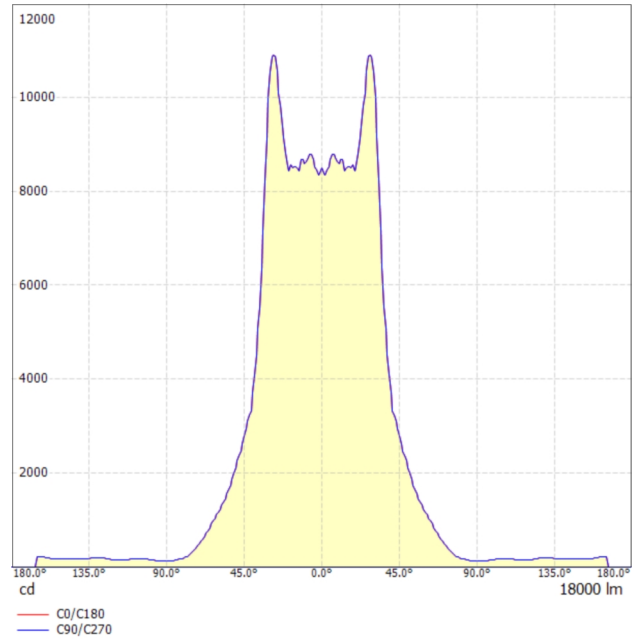
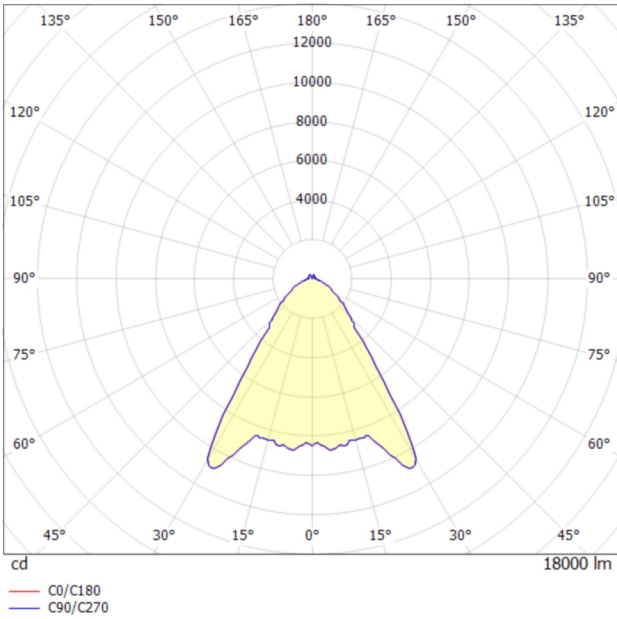
Technical amendments and errors reserved.

PROLED<sup>®</sup>

MBN GmbH | Balthasar-Schaller-Str. 3 | 86316 Friedberg | Germany  
Phone +49.821.60099-0 | Fax +49.821.60099-99  
info@proled.com | proled.com

# Data sheet

L711H274+L711HAR5 - High Bay 160 - W - Refl. Polycarbonate + Cover



Distance	Cone diameter	E(0°)	E(C0)	36.1°	18000 lm
0.5	0.73	E(0°)	27308	36.1°	9278
1.0	1.46	E(0°)	6827	36.1°	2320
1.5	2.19	E(0°)	3034	36.1°	1031
2.0	2.92	E(0°)	1707	36.1°	580
2.5	3.65	E(0°)	1092	36.1°	371
3.0	4.38	E(0°)	759	36.1°	258

Distance Cone diameter Illuminance

— C0/C180 (Half-peak divergence: 72.2°)

## Glare evaluation according to UGR

	70	70	50	50	30	70	70	50	50	30
p Ceiling	70	70	50	50	30	70	70	50	50	30
p Walls	50	30	50	30	30	50	30	50	30	30
p Floor	20	20	20	20	20	20	20	20	20	20

Room size	X	Y	Viewing direction at right angles to lamp axis					Viewing direction parallel to lamp axis				
			2H	4H	6H	8H	12H	2H	4H	6H	8H	12H
2H	2H	18.9	19.8	19.2	20.1	20.4	18.9	19.8	19.2	20.1	20.4	
2H	3H	19.2	20.0	19.6	20.3	20.7	19.2	20.0	19.6	20.3	20.7	
2H	4H	19.2	20.0	19.6	20.4	20.7	19.2	20.0	19.6	20.4	20.7	
2H	6H	19.2	19.9	19.6	20.3	20.7	19.2	19.9	19.6	20.3	20.7	
2H	8H	19.2	19.9	19.6	20.3	20.7	19.2	19.9	19.6	20.3	20.7	
2H	12H	19.2	19.8	19.6	20.3	20.7	19.2	19.8	19.6	20.3	20.7	
4H	2H	19.0	19.8	19.4	20.1	20.5	19.0	19.8	19.4	20.1	20.5	
4H	3H	19.4	20.0	19.8	20.5	20.9	19.4	20.0	19.8	20.5	20.9	
4H	4H	19.5	20.1	20.0	20.5	21.0	19.5	20.1	20.0	20.5	21.0	
4H	6H	19.5	20.0	20.0	20.5	21.0	19.5	20.0	20.0	20.5	21.0	
4H	8H	19.5	20.0	20.0	20.5	21.0	19.5	20.0	20.0	20.5	21.0	
4H	12H	19.5	19.9	20.1	20.4	21.0	19.5	19.9	20.1	20.4	21.0	
8H	4H	19.5	19.9	20.0	20.4	20.9	19.5	19.9	20.0	20.4	20.9	
8H	6H	19.5	19.9	20.1	20.4	21.0	19.5	19.9	20.1	20.4	21.0	
8H	8H	19.6	19.9	20.1	20.4	21.0	19.6	19.9	20.1	20.4	21.0	
8H	12H	19.6	19.8	20.2	20.4	21.0	19.6	19.8	20.2	20.4	21.0	
12H	4H	19.4	19.8	20.0	20.3	20.9	19.4	19.8	20.0	20.3	20.9	
12H	6H	19.5	19.8	20.1	20.3	20.9	19.5	19.8	20.1	20.3	20.9	
12H	8H	19.5	19.8	20.1	20.4	21.0	19.5	19.8	20.1	20.4	21.0	

Variation of the observer position for the luminaire distances S

S = 1.0H	+1.9 / -1.3	+1.9 / -1.3
S = 1.5H	+3.7 / -2.2	+3.7 / -2.2
S = 2.0H	+5.4 / -3.2	+5.4 / -3.2

Standard table	BK02	BK02
Correction summand	2.1	2.1

Correction glare indices referring to 18000lm total luminous flux

Status 08.12.2020

Technical amendments and errors reserved.