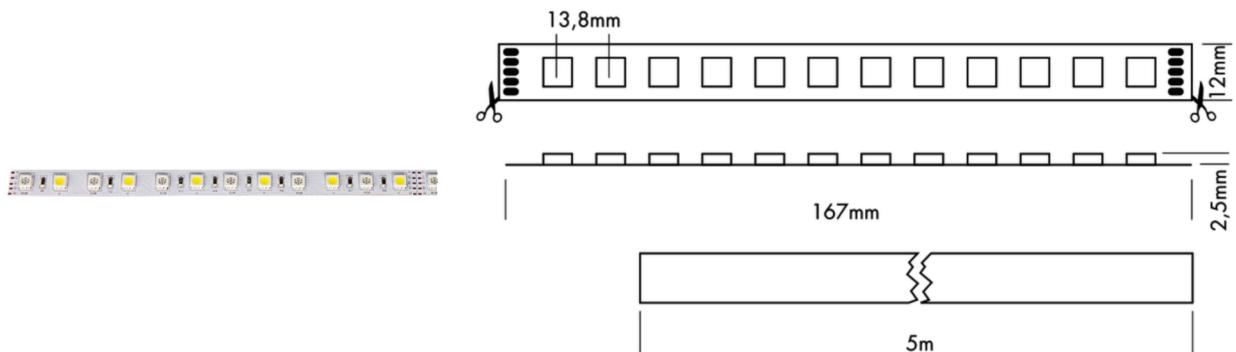


# Data sheet

L65D7A - Flex Strip RGBA

**PROLED®**

Article name: Flex Strip RGBA  
Article number: L65D7A



## Article description:

The PROLED FLEX STRIPS are perfect for indirect lighting, as custom made versions for fair or shop applications as well as for all kinds of illumination. Due to their shallow design and the individually adaptable lengths the PROLED FLEX STRIPS offer a wide spectrum of application possibilities.

- RGB (3 colours in one LED) + amber. Larger colour range and real amber colours possible.
- High flexibility - adaptable to round shapes.
- Installation with 3M adhesive tape on the strip's backside (self adhesive).
- dimmable, autom. colour change, controllable via DMX 512, DALI, KNX, 1-10V, CASAMBI, RF by MULTI power supplies/controller

## Technical:

<b>Mounting type:</b>	Surface-mounted on ceiling	<b>Electric:</b>	
<b>Adjustability:</b>	Fixed	System power:	16,84 W
<b>Controllability:</b>	Dimmable	Current:	24 V
<b>Safety:</b>	IP20	Safety class:	3
<b>Temperature range:</b>	-10...45 °C	EEL:	G
<b>Lifetime:</b>	50.000 h at L80B10	UGR:	-

## Shape and dimensions:

Length:	1002 mm
Width:	12 mm
Height:	3 mm
Weight:	-

State 02.11.2022

Technical amendments and errors reserved.

**Light output 1 (LED Amber):**

<b>Lamp type:</b>	LED
<b>Lamp power:</b>	8.6 W
<b>Total luminous flux:</b>	240 lm
<b>Light efficiency:</b>	27.9 lm/W
<b>CCT:</b>	- K
<b>CRI:</b>	0
<b>Light distribution:</b>	(Symmetrical) Wide flood (half value angle 45°...125°)

**Light output 2 (LED Red):**

<b>Lamp type:</b>	LED
<b>Lamp power:</b>	2.84 W
<b>Total luminous flux:</b>	100 lm
<b>Light efficiency:</b>	35.2 lm/W
<b>CCT:</b>	- K
<b>CRI:</b>	0
<b>Light distribution:</b>	(Symmetrical) Wide flood (half value angle 45°...125°)

**Light output 3 (LED Blue):**

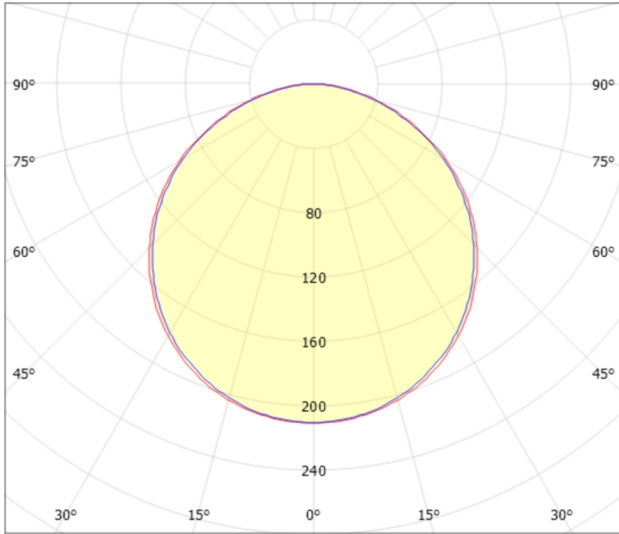
<b>Lamp type:</b>	LED
<b>Lamp power:</b>	2.9 W
<b>Total luminous flux:</b>	50 lm
<b>Light efficiency:</b>	17.2 lm/W
<b>CCT:</b>	- K
<b>CRI:</b>	0
<b>Light distribution:</b>	(Symmetrical) Wide flood (half value angle 45°...125°)

**Light output 4 (LED Green):**

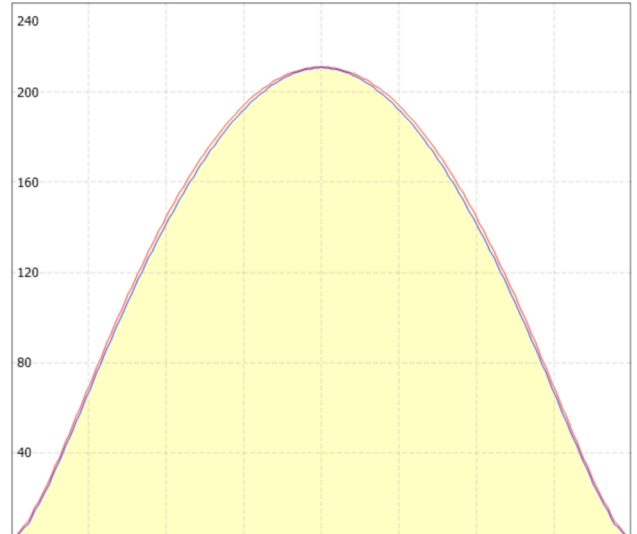
<b>Lamp type:</b>	LED
<b>Lamp power:</b>	2.5 W
<b>Total luminous flux:</b>	220 lm
<b>Light efficiency:</b>	88 lm/W
<b>CCT:</b>	7247 K
<b>CRI:</b>	0
<b>Light distribution:</b>	(Symmetrical) Wide flood (half value angle 45°...125°)

# Data sheet

L65D7A - Flex Strip RGBA



cd 610 lm  
 — C0/C180  
 — C90/C270



cd 610 lm  
 — C0/C180  
 — C90/C270

Distance	Cone diameter	Illuminance
0.5	1.51 1.56	E(0°) 577 E(C90) 56.4° 49 E(C0) 57.3° 46
1.0	3.01 3.12	E(0°) 144 E(C90) 56.4° 12 E(C0) 57.3° 11
1.5	4.52 4.67	E(0°) 64 E(C90) 56.4° 5 E(C0) 57.3° 5
2.0	6.02 6.23	E(0°) 36 E(C90) 56.4° 3 E(C0) 57.3° 3
2.5	7.53 7.79	E(0°) 23 E(C90) 56.4° 2 E(C0) 57.3° 2
3.0	9.03 9.35	E(0°) 16 E(C90) 56.4° 1 E(C0) 57.3° 1

— C0/C180 (Half-peak divergence: 114.6°)  
 — C90/C270 (Half-peak divergence: 112.8°)

### Glare evaluation according to UGR

	70	70	50	50	30	70	70	50	50	30
ρ Ceiling	50	30	50	30	30	50	30	50	30	30
ρ Walls	20	20	20	20	20	20	20	20	20	20
ρ Floor										

Room size	X	Y	Viewing direction at right angles to lamp axis					Viewing direction parallel to lamp axis					
			2H	3H	4H	6H	8H	12H	2H	3H	4H	6H	8H
2H	2H	22.8	24.1	23.1	24.4	24.6	22.7	24.0	23.0	24.3	24.5		
2H	3H	24.4	25.6	24.7	25.8	26.1	24.2	25.4	24.6	25.7	26.0		
2H	4H	25.0	26.1	25.3	26.4	26.7	24.8	26.0	25.2	26.2	26.5		
2H	6H	25.4	26.5	25.8	26.8	27.1	25.2	26.3	25.6	26.6	26.9		
2H	8H	25.5	26.5	25.9	26.9	27.2	25.4	26.4	25.7	26.7	27.0		
2H	12H	25.6	26.6	26.0	26.9	27.3	25.4	26.4	25.8	26.7	27.1		
4H	2H	23.5	24.6	23.8	24.9	25.2	23.4	24.5	23.7	24.8	25.1		
4H	3H	25.2	26.2	25.6	26.5	26.9	25.1	26.1	25.5	26.4	26.8		
4H	4H	26.0	26.8	26.4	27.2	27.5	25.8	26.7	26.2	27.0	27.4		
4H	6H	26.5	27.3	26.9	27.6	28.0	26.4	27.1	26.8	27.5	27.9		
4H	8H	26.7	27.4	27.1	27.8	28.2	26.5	27.2	27.0	27.6	28.0		
4H	12H	26.8	27.4	27.3	27.8	28.3	26.6	27.2	27.1	27.7	28.1		
8H	4H	26.2	26.9	26.7	27.3	27.8	26.1	26.8	26.6	27.2	27.6		
8H	6H	26.9	27.5	27.4	27.9	28.4	26.8	27.3	27.2	27.8	28.2		
8H	8H	27.2	27.7	27.7	28.1	28.6	27.0	27.5	27.5	28.0	28.5		
8H	12H	27.4	27.8	27.9	28.3	28.8	27.2	27.6	27.7	28.1	28.6		
12H	4H	26.3	26.9	26.7	27.3	27.7	26.1	26.8	26.6	27.2	27.6		
12H	6H	27.0	27.5	27.5	27.9	28.4	26.8	27.3	27.3	27.8	28.3		
12H	8H	27.3	27.7	27.8	28.2	28.7	27.1	27.5	27.6	28.0	28.5		

Variation of the observer position for the luminaire distances S

Correction summand	+10.0	+0.1	+0.9
S = 1.5H	+0.1	+0.1	+0.1
Standard table	+0.3	+0.3	+0.4
Correction luminaire referring to 610lm and 6000K	+0.3	+0.3	+0.4

State 02.11.2022

Technical amendments and errors reserved.